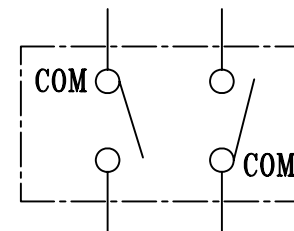
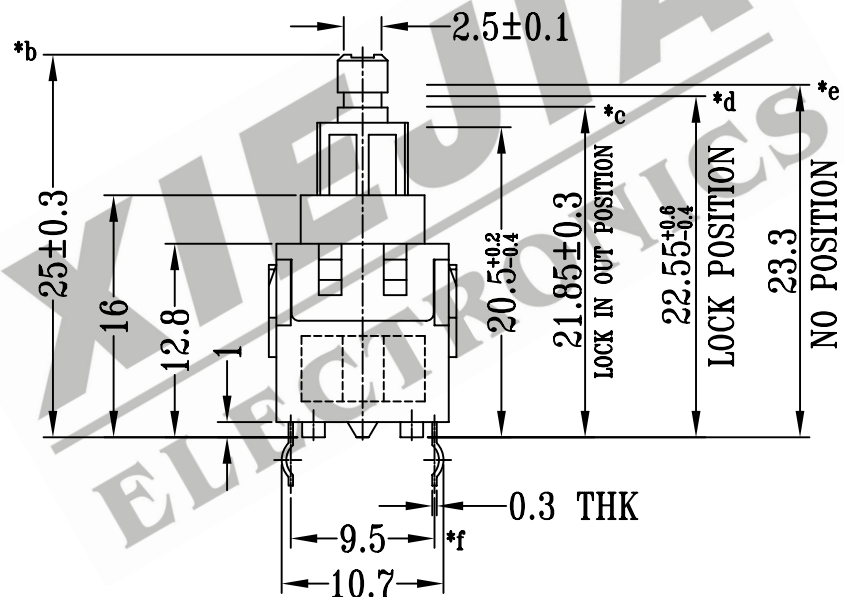
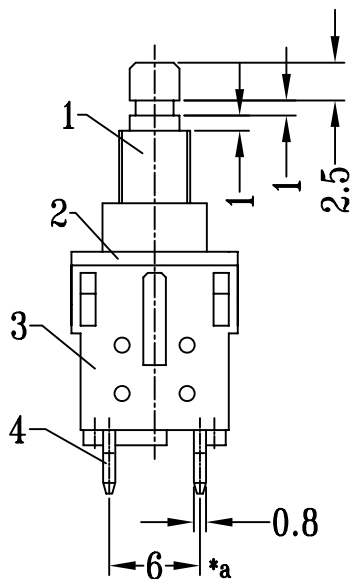
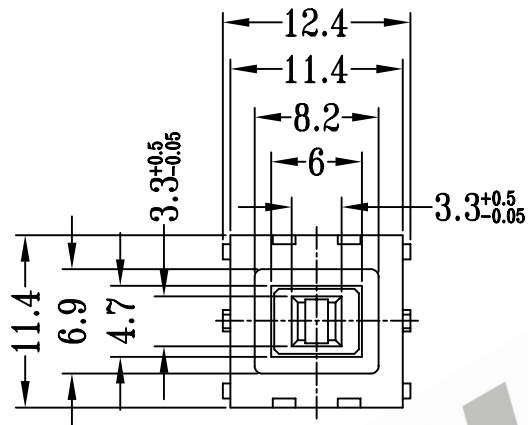
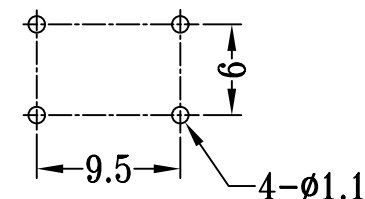


CAD FILE:



SCHEMATIC



P.C.B LAYOUT

注:带"*"表示关键尺寸(6个)

NO.	PART NAME	MATERIAL	Q'TY	FINISHING	TOLERANCE	SHENZHEN XIEJIA ELECTRONICS CO.,LTD.					
8					UNLESS SPECIFIED	ISSUE		DATE		DESCRIPTIONS	APPD.
7	SPRING	SUS	1	TEMPER	WITHIN: 1.5±0.1mm	TITLE : VERTICAL PUSH SWITCH				UNIT : MM	DRWG NO.: XJ-DR-PB22E32-00
6	CONTACT	PBS STRIP (C5210R)	2	Ag PLATED OVER Ni PLATED	OVER : 1.5±0.2mm					SCALE: 2 : 1	DWN.
5	CAM STICK	SUS	1	WASHING	MODEL: PB-22E32				CHK'D	FANGYING	2004-7-16
4	TERMINAL	PBS STRIP (C5210R)	4	Ag PLATED OVER Ni PLATED	ALL MATERIALS MUST BE COMPLIANT TO ROHS				APPD.	KANGXINAN	2004-7-16
3	CASE	PBT+30%GLASS	1	BLACK							
2	COVER	PBT+30%GLASS	1	BLACK							
1	KNOB	NYLON+30%GLASS	1	BLACK							